

## REPLACING THE SILICON BOOT

1. Remove the tailcap.
2. Using needle nose pliers, a spanner wrench, or similar tools, insert into the two holes in the silver ring.
3. Turn counterclockwise to unscrew the silver ring. The ring will be tight and may take some force to initially loosen. Set ring aside.
4. Remove the black rubber ring from the spring and set aside.
5. Press the tailcap switch to remove the switch circuit and set aside.
6. Using the same tools, insert into the two holes on the bottom black ring and turn counterclockwise to unscrew. Set aside.
7. The rubber boot will fall from the tailcap body. Insert replacement tailcap.
8. With tools, screw in black ring clockwise. Do not over tighten.
9. Replace switch circuit.
10. Replace black rubber ring over the spring.
11. With tools, screw in the silver ring clockwise.
12. Replace the tailcap on the flashlight to check threading. If threads are visible, remove and tighten the silver ring.



## BATTERY AND SAFETY WARNINGS

- Do not mix rechargeable and non-rechargeable batteries.
- Do not mix batteries of different types/brands.
- Do not use unsupported batteries with this flashlight.

## WARRANTY

Within 30 days of purchase: Return to retailer from which you purchased for repair or replacement.

Within 5 years of purchase: Return to Olight for repair or replacement.

This warranty does not cover normal wear and tear, modifications, misuse, disintegrations, negligence, accidents, improper maintenance, or repair by anyone other than an Authorized retailer or Olight itself.



**Technical Support Inquiries**  
techsupport@olightworld.com

**Customer Service**  
service@olightworld.com

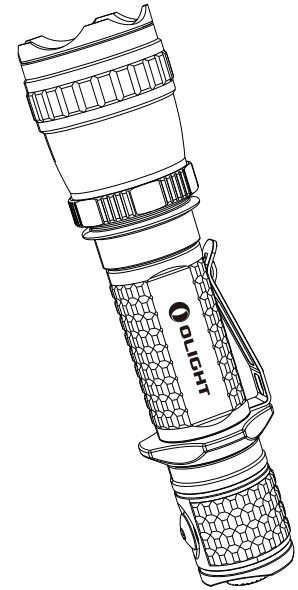
Visit [www.olightworld.com](http://www.olightworld.com) to see our complete product line of portable illumination tools.



Olight Technology Co., Limited  
2/F, Building A, B3 Block, Fuhai Industrial Park, Fuyong, Bao'an District, Shenzhen, China 518103  
V2. DEC. 01, 2014



## M20SX JAVELOT EXTENDED-RANGE VARIABLE-OUTPUT LED FLASHLIGHT USER MANUAL



Thank you for purchasing the Olight M20SX Javelot flashlight! Please read this manual carefully before using this product.

**INSIDE THE BOX**  
M20SX Javelot, diffuser, (3) o-rings, battery magazine, Holster, silicon rubber boot, lanyard, user manual

## HOW TO OPERATE

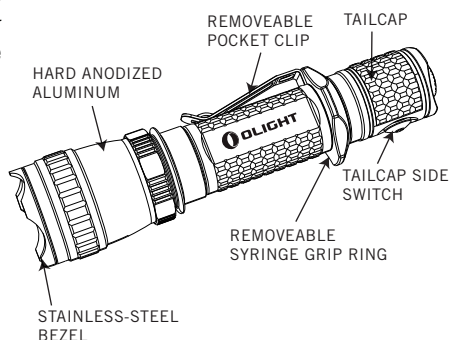
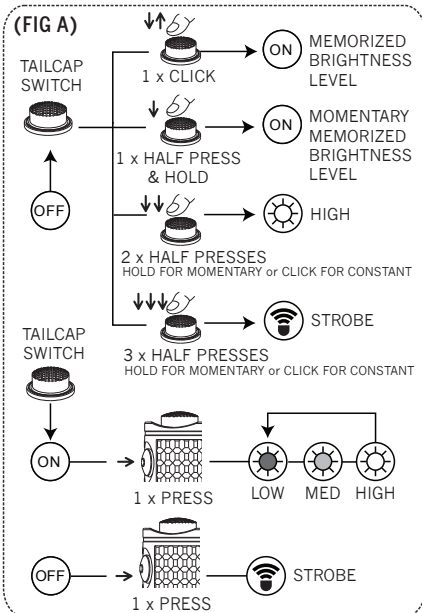
**ON/OFF:** Click the tailcap switch to turn flashlight on.

### CHANGE BRIGHTNESS LEVEL (FIG A)

When the light is on, press the side tailcap switch. The brightness levels will cycle up then repeat low – medium – high.

**HALF PRESSES:** When the light is off, 1 half press returns to last used brightness level, 2 half presses goes to highest brightness level, and 3 half presses goes to strobe. Hold for momentary activation or click down for constant on in the setting.

**STROBE:** When the light is off, press the side tailcap switch for instant strobe. Alternatively, half press the tailcap switch 3 times and hold for momentary strobe or click for constant strobe. Strobe mode will not be memorized.

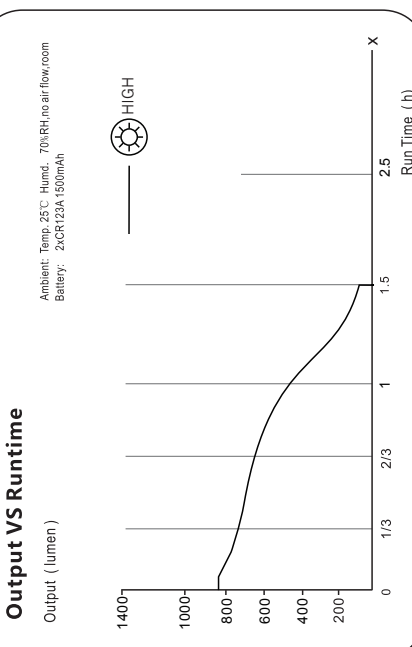
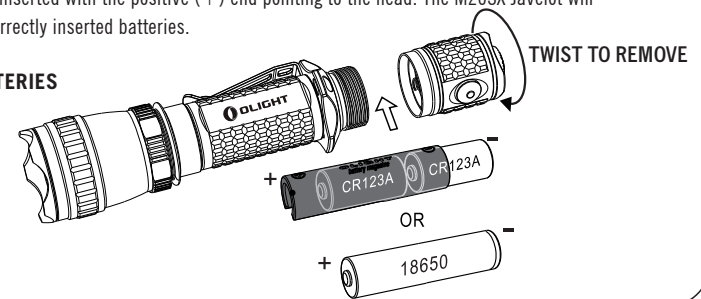


## BATTERY INSTALLATION

Ensure batteries are inserted with the positive (+) end pointing to the head. The M20SX Javelot will not operate with incorrectly inserted batteries.

### SUPPORTED BATTERIES

- 2 x CR123A
- 1 x 18650



## SPECIFICATIONS

OUTPUT & RUNTIME	
HIGH	820 LUMENS / 1 HR 15 MIN
MED	150 LUMENS / 3 HRS
LOW	25 LUMENS / 18 HRS
STROBE	820 LUMENS (10HZ) / 2 HRS
LED	CREE LED
VOLTAGE	3.0V TO 8.4V
CANDELA	34,200 CD
BEAM DISTANCE	370 METERS/ 1214 FEET
BATTERY TYPE	2 x CR123A OR 1 x 18650
BODY TYPE	TYPE-III HARD ANODIZED ALUMINUM
WATERPROOF	IPX7 (UP TO 1 METER)
IMPACT RESISTANCE	1.5 METERS
DIMENSIONS	L 140mm x D 35.5mm / 5.51in x 1.4 in
WEIGHT without battery	124g / 4.4 oz

Note: Tests performed with 2x CR123A(3.0V) 1500mAh batteries

All performance claims to ANSI/NEMA FL1-2009 Standard.